

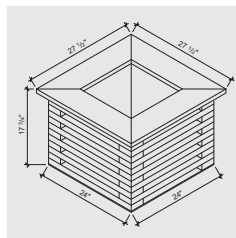
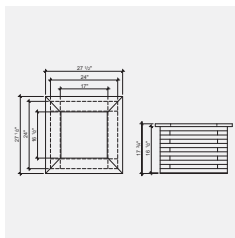
NOVEL FLOWER BOX

CONSTRUCTION PLAN



Difficulty level: **T** | EASY

Completion time: **2 hours**



NOVEL FLOWER BOX

This flower planter box, measuring 24" x 24" and 17 3/4" high, is attractive, original, and extremely simple to make.

It can be stained or painted to go with any decor. Why not make a pair, to decorate a flowerbed, patio or front entrance?



TOOLS AND MATERIALS NEEDED

TOOLS

- > Table saw
- > Circular saw
- > Mitre saw
- > Pneumatic nailer
- > Driver drill
- > Stapler
- > Pencil
- > Measuring tape

MATERIALS

- > 1 sheet plywood, 1/4" x 48" X 96", preferably water repellent
- > 6 lengths treated wood, 2" x 4" x 96"
- > 2 boards treated wood, 1 1/4" x 6"
- > 2 1/2" No. 8 screws for treated wood
- > 18-gauge 1 1/2" finishing nails for pneumatic nailer
- > Construction glue
- > Geotextile fabric

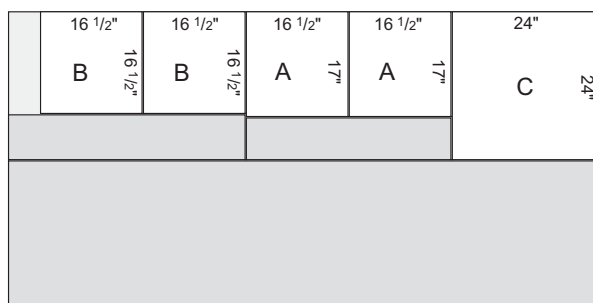
BEFORE ASSEMBLY

CUTTING PLAN

Sand the edges smooth as needed.

Plywood, 1/4" x 48" x 96"

PIECES	QUANTITY	WIDTH (")	LENGTH (")
A BOX INTERIOR - SIDE	2	17	16 1/2
B BOX INTERIOR - SIDE	2	16 1/2	16 1/2
C BOTTOM	1	24	24



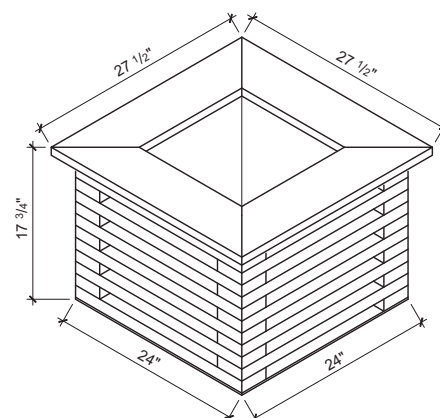
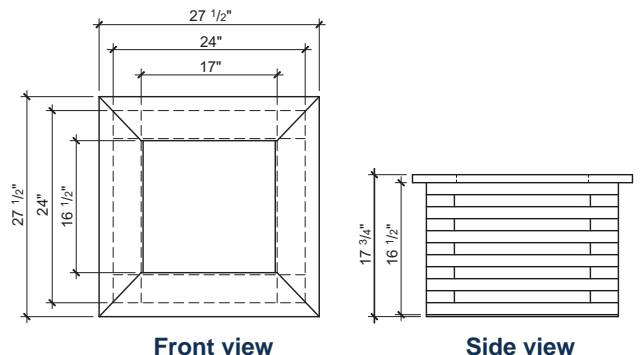
Treated wood, 2" x 4" x 96"

PIECES	QUANTITY	LENGTH (")
D BORDER	22	24

Treated wood, 1 1/4" x 6"

PIECES	QUANTITY	LENGTH (")
E FRAME	4	27 1/2

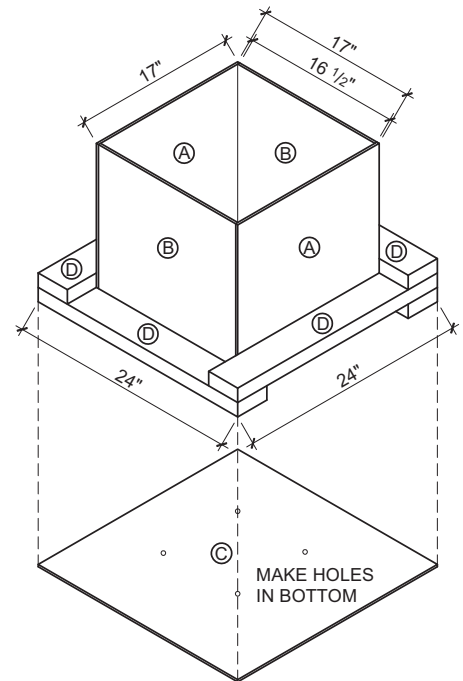
ELEVATIONS



NOVEL FLOWER BOX

ASSEMBLY

- 1 Nail sides B between sides A to form a box.
- 2 Place the box on the centre of bottom C.
- 3 Glue and screw two borders D onto bottom C, on either side of the box.
- 4 Now screw two more borders D across the ends of the previously installed borders. Continue alternating the border planks like this until they arrive level with the top of the box.
- 5 Screw the box to the inside of the borders as you assemble them. A few screws will suffice.



- 6 Glue and nail top frame E onto borders D.
- 7 If the surface that you will be standing your planter on does not allow water to drain freely from the holes, nail furniture floor protectors under the corners and centre of the box. The protectors will raise the box slightly so that it is not in direct contact with the ground, enabling water to drain more easily. Alternatively, you could fasten more borders D underneath the box.
- 8 Before filling the box with earth and plants, line the bottom and sides with geotextile fabric. Staple the fabric to the box.

Your flower box can be left as is, for a natural look, or you could paint or stain it, which not only helps protect the wood but also allows you to match it with other features of your patio and garden.

