

OBELISK TRELLIS

This obelisk trellis is a charming and practical feature to add to your garden. Standing seven feet tall to the peak of its cap, it is a decorative, eye-catching way to show off climbing plants, which can be enjoyed from all sides.

The obelisk is formed from two identical sides joined together with rails and cross braces. All the parts are nailed together.



TOOLS AND MATERIALS NEEDED

TOOLS

- > Mitre saw
- > Pneumatic nailer
- > Pencil
- > Measuring tape

MATERIALS

- > 4 pine strips, 2" x 2" x 96"
- > 7 pine strips, 1" x 2" x 96"
- > 1 pine board, 1" x 12" x 12"
- > 1 pine board, 2" x 10" x 10"
- > 1 "Gothic" cedar post cap
- > 1 flat cedar post cap
- > 18-gauge 1 1/2" finishing nails for pneumatic nailer
- > Paint

BEFORE ASSEMBLY

CUTTING PLAN

Sand the edges smooth as needed.

Pine strips, 2" x 2" x 96"

| PIECES | QUANTITY | LENGTH (") |
|--------|----------|------------|
| A LEG | 4 | 72 |

Pine strips, 1" x 2" x 96"

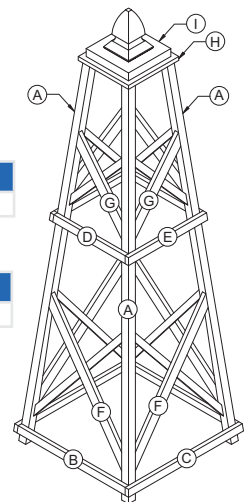
| PIECES | QUANTITY | LENGTH (") |
|------------------------|----------|------------|
| B BOTTOM RAIL - SHORT | 2 | 23 5/8 |
| C BOTTOM RAIL - LONG | 2 | 25 1/8 |
| D MIDDLE RAIL - SHORT | 2 | 15 11/16 |
| E MIDDLE RAIL - LONG | 2 | 17 3/16 |
| F CROSS BRACE - BOTTOM | 8 | 30 |
| G CROSS BRACE - TOP | 8 | 19 |

Pine board, 1" x 12" x 12"

| PIECES | QUANTITY | WIDTH (") | LENGTH (") |
|------------|----------|-----------|------------|
| H TOP - 1" | 1 | 11 | 11 |

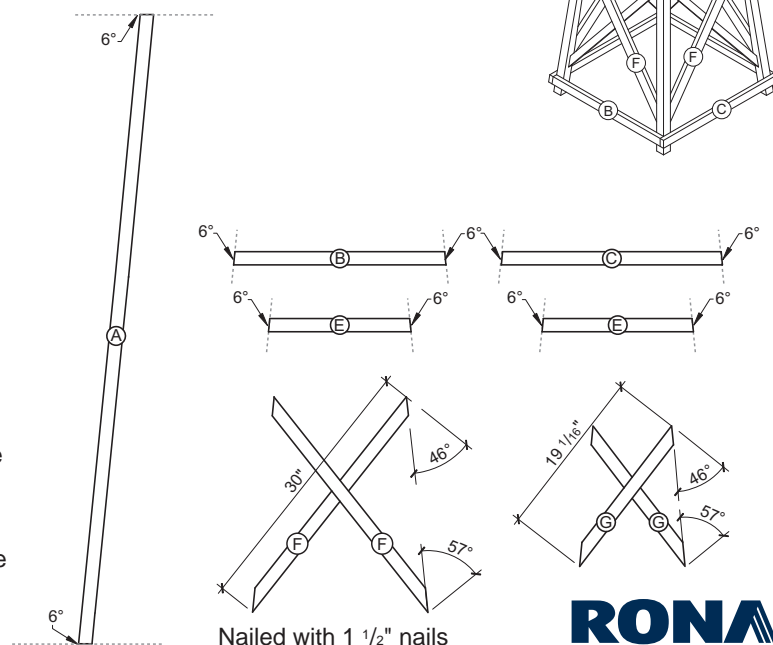
Pine board, 2" x 10" x 10"

| PIECES | QUANTITY | WIDTH (") | LENGTH (") |
|------------|----------|-----------|------------|
| I TOP - 2" | 1 | 9 1/4 | 9 1/4 |



PREPARING THE PARTS

- 1 Cut the ends of parts A at a 6° angle so the ends are parallel.
- 2 Cut the ends of parts B, C, D and E at a 6° angle so the ends are convergent.
- 3 Cut parts F at a 46° angle at one end and a 57° angle at the other.
- 4 Cut parts G at a 46° angle at one end and a 57° angle at the other.



OBELISK TRELLIS

ASSEMBLY

ASSEMBLING SIDES B/D

- 5 Nail a bottom rail B to two legs A, 2" from their bottom end. The ends of B must be flush with the outer edges of A.
- 6 Nail a middle rail D to the same two legs A, 38 7/16" from bottom rail B. The ends of D must be flush with the outer edges of A.
- 7 Position two bottom cross braces F so that their bottom ends are 2" from rail B. Nail in place.
- 8 Position two top cross braces G so that their bottom ends are 2" from rail D. Nail in place.

Build another side identical to this one, following the same steps.

ASSEMBLING SIDES C/E

- 9 Nail a bottom rail C to legs A (i.e. the legs of the previously assembled sides), 2" from their bottom end. The ends of C should cover the ends of bottom rails B.
- 10 Nail a middle rail E to the two legs A, 38 7/16" from bottom rail C. The ends of E should cover the ends of rails D.
- 11 Position two bottom cross braces F so that their bottom ends are 2" from rail C. Nail in place.
- 12 Position two top cross braces G so that their bottom ends are 2" from rail E. Nail in place.

Repeat these steps on the other side of the obelisk.

INSTALLING THE POST CAPS

- 13 Place part H in the centre of the top of the obelisk and nail it to the ends of legs A.
- 14 Centre part I on top of part H and nail them together from the underside.
- 15 Centre flat post cap J on top of I and nail in place.
- 16 Centre "Gothic" post cap K on top of J and nail in place.

The final step is simply to paint your obelisk to protect it from the elements. We also recommend anchoring the trellis with metal hoops pushed into the ground or simply placing a few heavy stones on the base.

