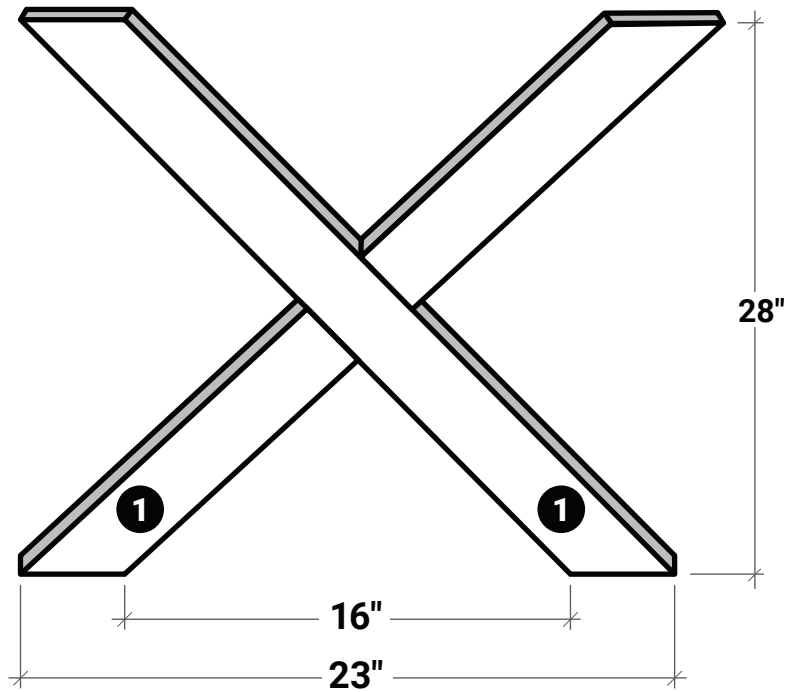
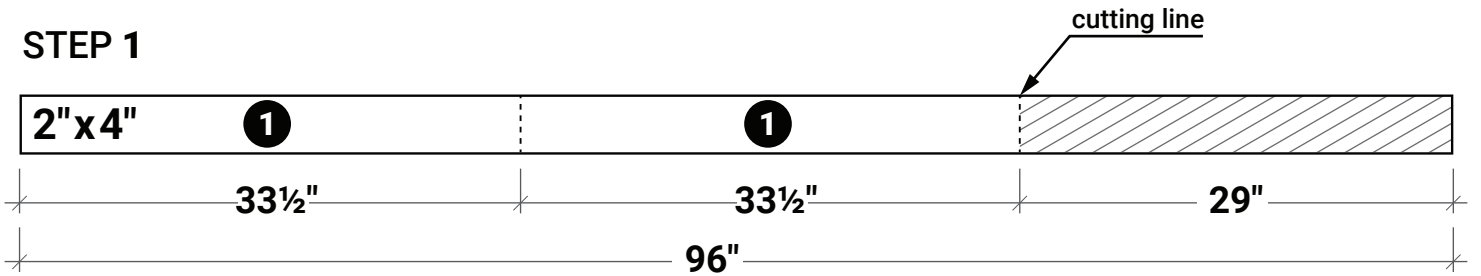


Workshop

Plan • X-shaped desk legs



STEP 1



STEP 2

