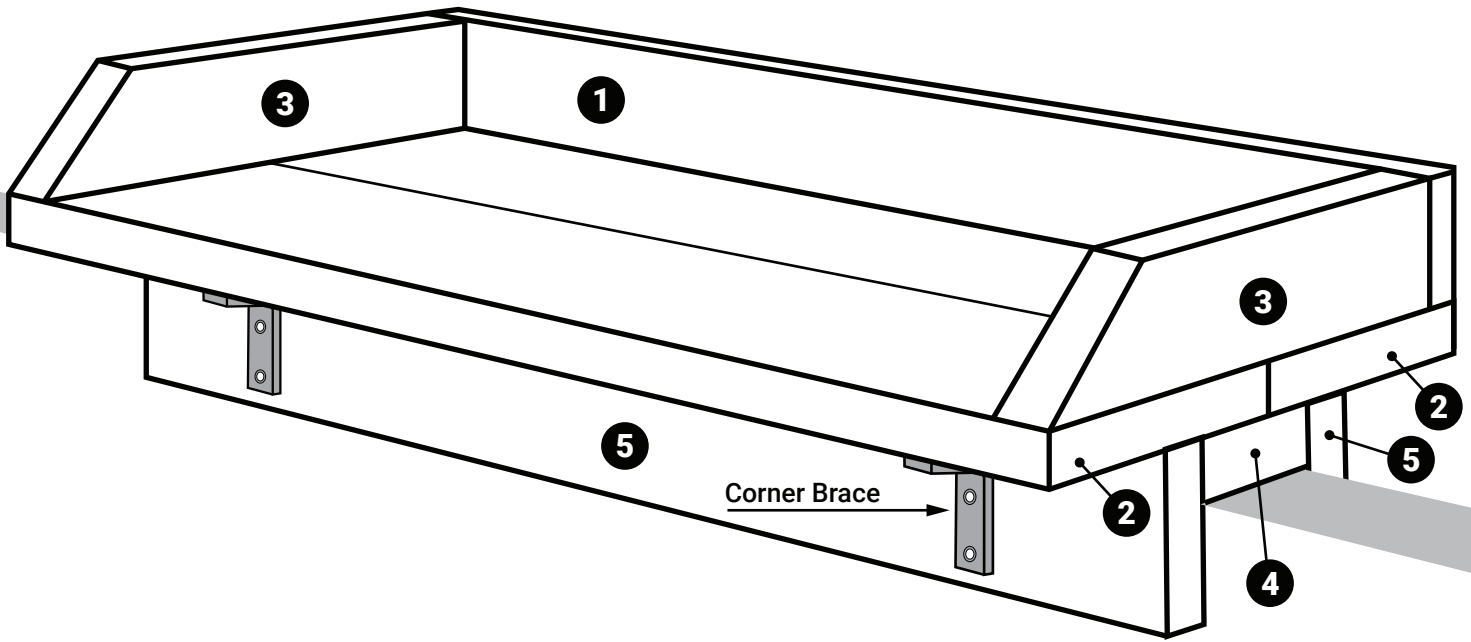


Workshop

Plan • Bar counter



cutting line

