

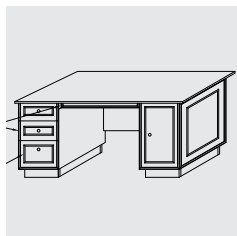
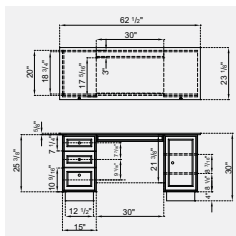
# DESK

## CONSTRUCTION PLAN



Difficulty level: **TT | MODERATE**

Completion time: **8 hours**



# DESK

A well thought up desk, practical and aesthetic, which you can paint to your liking.

Although this plan proposes a painted MDF construction, a do-it-yourselfer who wants natural wood furniture may prefer to replace MDF with pine, cherry wood or an exotic wood essence matching existing furniture, and then tint it to the desired colour.



## TOOLS AND MATERIALS NEEDED

### TOOLS

- > BENCHSAW or circular saw equipped with a guide block
- > Electric drill (plug in or portable)
- > Depth stop for  $\frac{1}{8}$ " drill bit.
- > Depth stop for  $\frac{3}{8}$ " drill bit.
- > Finishing nail gun (optional)
- > Tape measure
- > Angle
- > Pencil
- > Sander

### MATERIALS

- > 2 MDF sheets, 48" x 96" x  $\frac{5}{8}$ "
- > 2 MDF sheets, 48" x 48" x  $\frac{5}{8}$ "
- > 1 MDF sheet 48" x 48" x  $\frac{3}{4}$ "
- > 4 jointed pine cyma,  $\frac{5}{16}$ " x  $\frac{7}{8}$ " x 96" Boulanger brand
- > 3 quarter rounds,  $\frac{7}{16}$ " x  $\frac{7}{16}$ " x 96" Boulanger brand
- > No.6 flat head wood screw
- >  $\frac{5}{8}$ " flat head wood screw
- > 2 squared wood pieces 1" x 1" x 96"
- > 20 metal acute angles,  $\frac{3}{4}$ "
- > Wood glue
- > Ultra fine sandpaper sponge block
- > 150 grain sandpaper
- > 2 100° spring door hinges, Richelieu brand, model UC91M255180
- > 6 shelf runners, full expansion, 18", Richelieu brand, model 754717018
- > 1 package of 5 mm shelf brackets, Richelieu brand, model BP340011
- > 3 Richelieu brand handles, model BP904195

# DESK

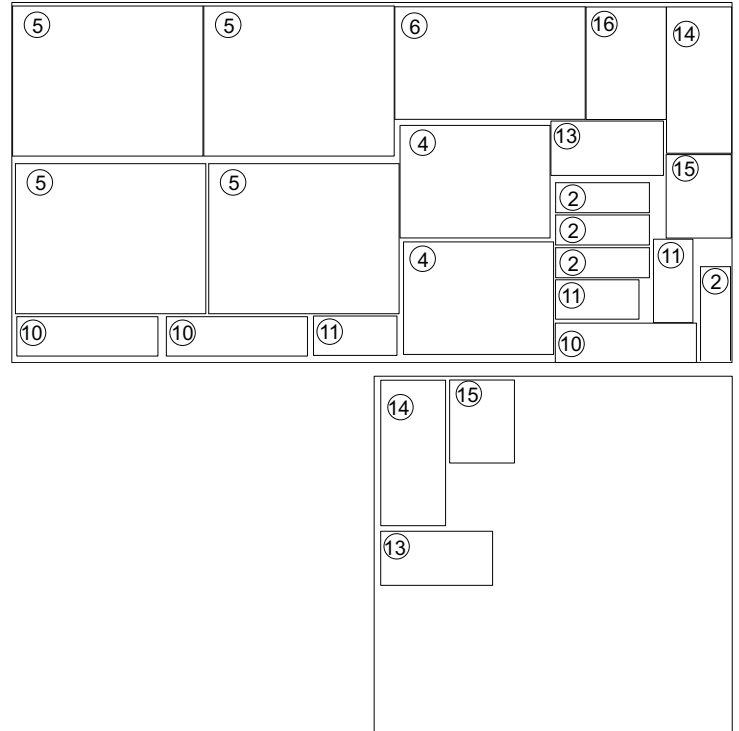
## BEFORE ASSEMBLY

### CUTTING LIST

There are a lot of parts to be cut, so be sure to identify each one before assembly.

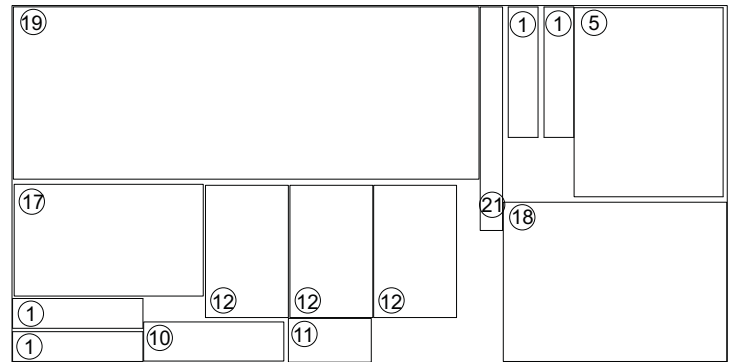
MDF, 5/8" x 48" x 96"

PIECES	QUANTITY	WIDTH (")	LENGTH (")
2 A & B BOX TOE-KICK FRONT	4	4	12 1/2
4 A & B BOX BOTTOM	2	20	15
5 A & B BOX SIDE (LEFT)	4	20	25 3/8
6 A & B BOX SIDE (RIGHT)	1	15	25 3/8
10 SIDE OF DRAWERS 1 & 2	3	18 13/16	5 1/4
11 FRONT AND REAR OF DRAWERS 1 & 2	3	11 1/8	5 1/4
13 FRONT OF DRAWERS 1 & 2	2	15	7 1/4
14 SIDE OF DRAWERS 3	2	19 1/2	8 11/16
15 FRONT AND REAR OF DRAWERS 3	2	11 1/8	8 11/16
16 FRONT OF DRAWERS 3	1	15	10 11/16



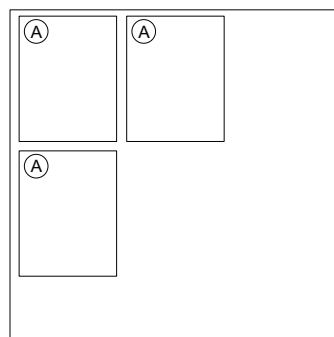
MDF, 5/8" x 48" x 96"

PIECES	QUANTITY	WIDTH (")	LENGTH (")
1 A & B BOX TOE-KICK SIDE	4	4	17 1/2
5 A & B BOX SIDE (LEFT)	1	20	25 3/8
10 SIDE OF DRAWERS 1 & 2	1	18 13/16	5 1/4
11 FRONT AND REAR OF DRAWERS 1 & 2	1	11 1/8	5 1/4
12 BOTTOM OF DRAWERS 1, 2 & 3	3	17 3/4	11 1/8
17 DOOR	1	15	25 3/8
18 BOTTOM	1	30	21 3/8
19 TOP	1	66	23 1/8
21 FRONT	1	3	30



MDF, 3/4" x 48" x 48"

PIECES	QUANTITY	WIDTH (")	LENGTH (")
A SHELF	3	15	18



# DESK

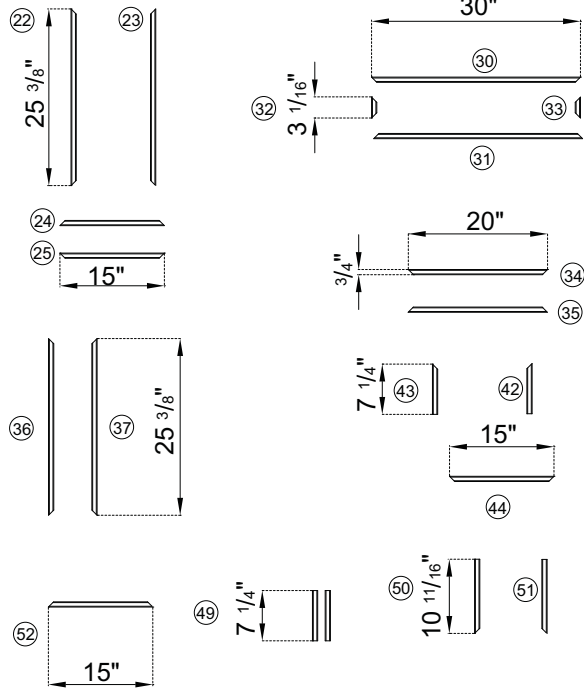
## BEFORE ASSEMBLY (CONT'D)

### CUTTING LIST

There are a lot of parts to be cut, so be sure to identify each one before assembly.

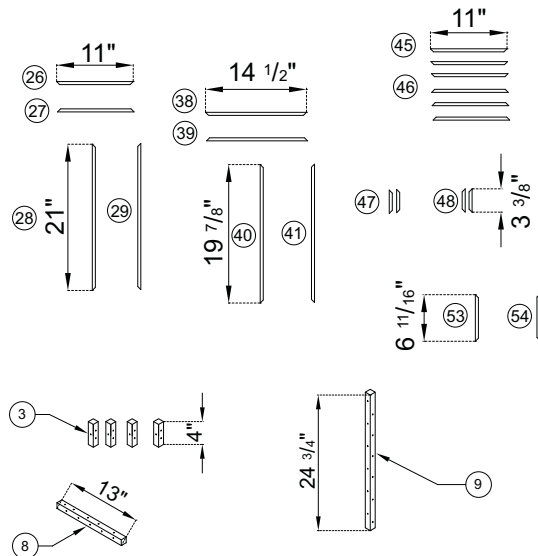
#### Decorative moulding, jointed pine cyma, 5/16" x 7/8" x 96"

PIECES	QUANTITY	WIDTH (")	LENGTH (")	
22	LEFT FRONT DOOR	1	7/8	25 3/8
23	RIGHT FRONT DOOR	1	7/8	25 3/8
24	FRONT LOWER DOOR	1	7/8	15
25	FRONT UPPER DOOR	1	7/8	15
30	UPPER FRONT	1	7/8	30
31	LOWER FRONT	1	7/8	30
32	RIGHT SIDE FRONT	1	7/8	3 1/16
33	LEFT SIDE FRONT	1	7/8	3 1/16
34	UPPER SIDE	1	7/8	20
35	LOWER SIDE	1	7/8	20
36	LEFT SIDE	1	7/8	25 3/8
37	RIGHT SIDE	1	7/8	25 3/8
42	RIGHT FRONT OF DRAWER 1	1	7/8	7 1/4
43	LEFT FRONT OF DRAWER 1	1	7/8	7 1/4
44	UPPER FRONT OF DRAWER 1	1	7/8	15
49	LEFT AND RIGHT FRONT OF DRAWER 2	2	7/8	7 1/4
50	LEFT FRONT OF DRAWER 3	1	7/8	10 11/16
51	RIGHT FRONT OF DRAWER 3	1	7/8	10 11/16
52	LOWER FRONT OF DRAWER 3	1	7/8	15



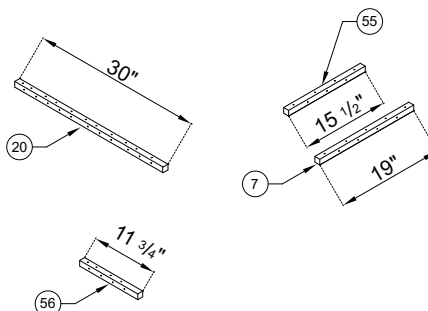
#### Decorative moulding, jointed pine cyma, 7/16" x 7/16" x 96"

PIECES	QUANTITY	WIDTH (")	LENGTH (")	
26	UPPER FRONT OF DOOR	1	7/16	11
27	LOWER FRONT OF DOOR	1	7/16	11
28	RIGHT FRONT OF DOOR	1	7/16	21
29	LEFT FRONT OF DOOR	1	7/16	21
38	UPPER SIDES	1	7/16	14 1/2
39	LOWER SIDES	1	7/16	14 1/2
40	SIDES (LEFT) A, B	1	7/16	19 7/8
41	SIDES (RIGHT) A, B	1	7/16	19 7/8
45	FRONT (UPPER) DRAWER 1 & 2	2	7/16	11
46	FRONT (LOWER) DRAWER 1 & 2	3	7/16	11
47	FRONT (LEFT) 1 & 2	2	7/16	3 3/8
48	FRONT (RIGHT) DRAWER 1 & 2	2	7/16	3 3/8
53	FRONT (LEFT) DRAWER 3	1	7/16	6 11/16
54	FRONT (RIGHT) DRAWER 3	1	7/16	6 11/16



#### Squared wood, 1" x 1" x 96"

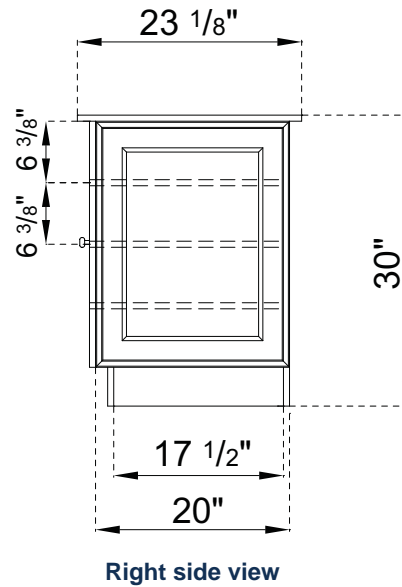
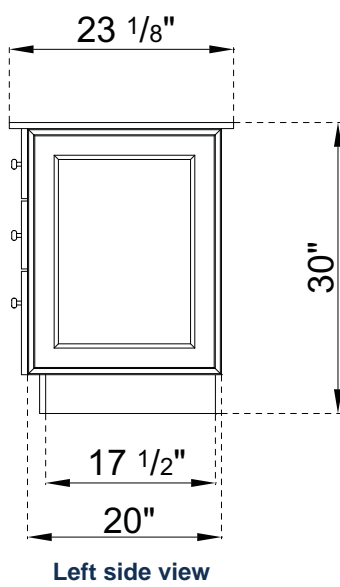
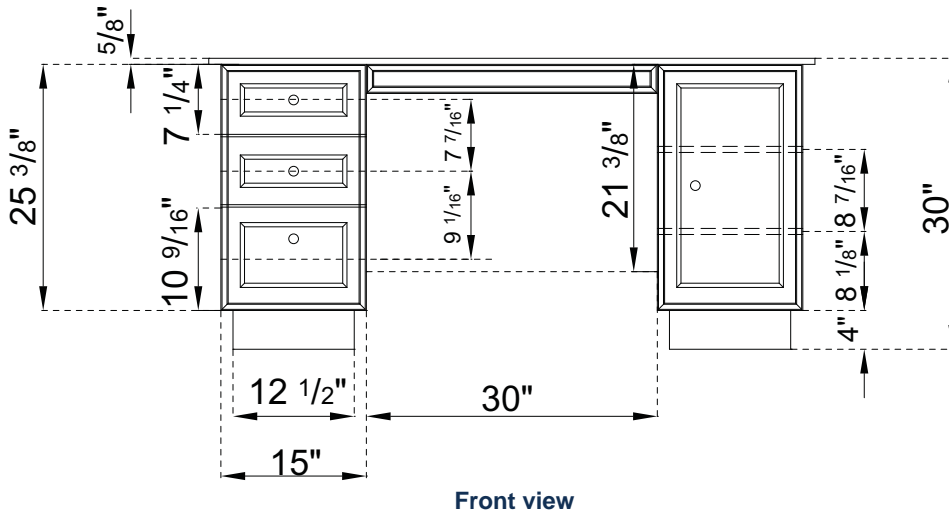
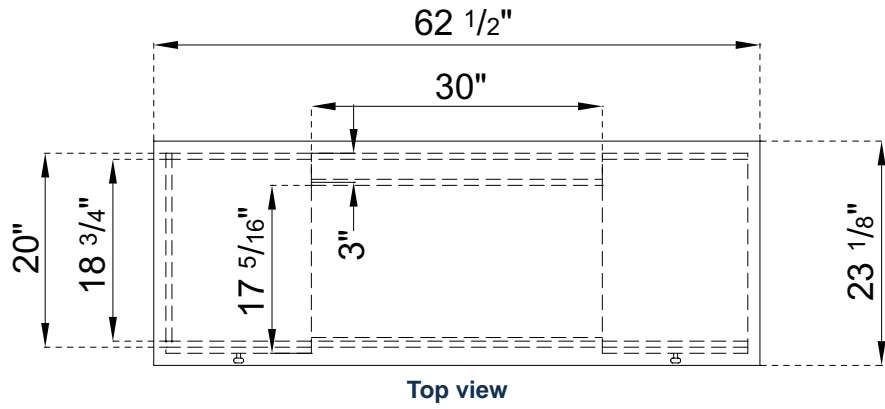
PIECES	QUANTITY	WIDTH (")	LENGTH (")	
3	VERTICAL BOTTOM	4	1	4
7	SIDE BOTTOMS OF BOX A	1	1	19
8	REAR BOTTOM OF BOX A	1	1	13
9	INTERIOR SIDES	1	1	24 3/4
20	INTERIOR SIDES	1	1	30
55	LEFT BOTTOM	1	1	15 1/2
56	RIGHT BOTTOM	1	1	11 3/4



# DESK

## BEFORE ASSEMBLY (CONT'D)

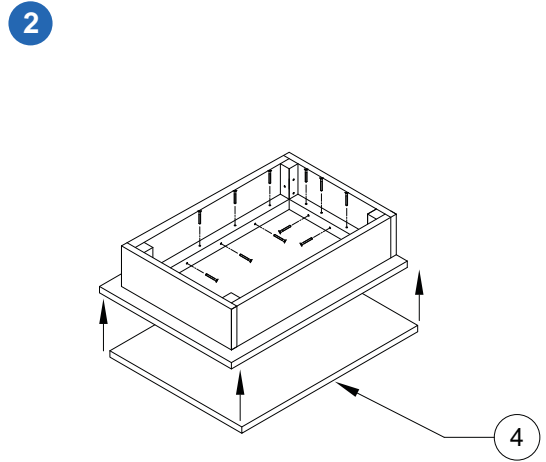
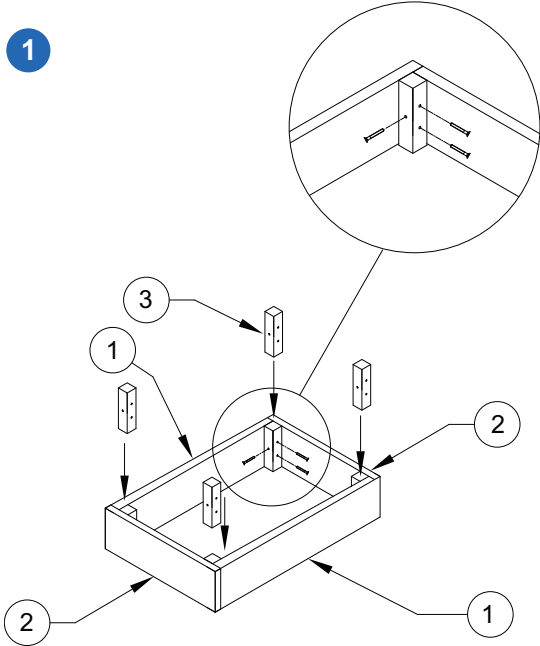
### ELEVATIONS



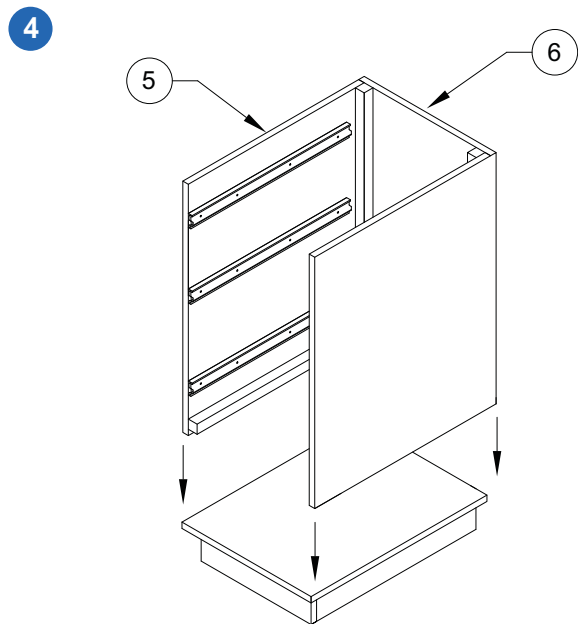
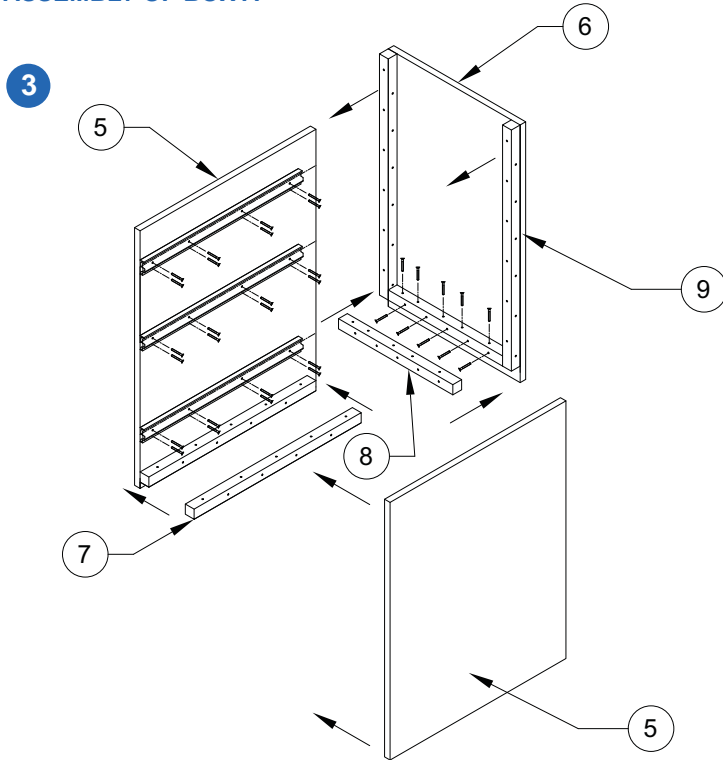
# DESK

## ASSEMBLY

### ASSEMBLY OF BOXES A AND B



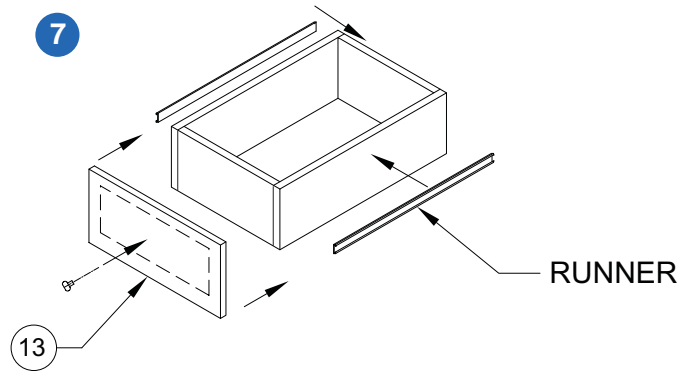
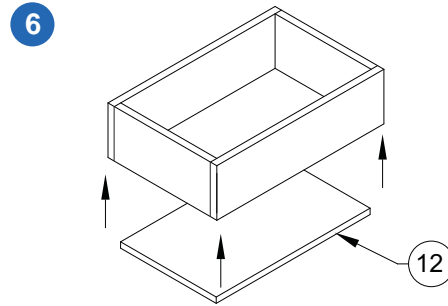
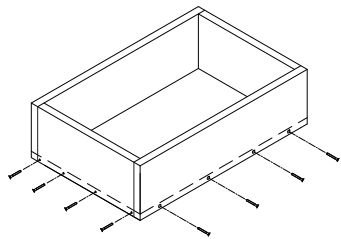
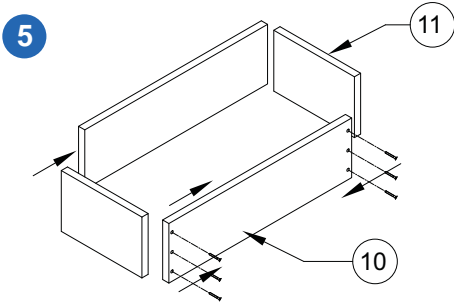
### ASSEMBLY OF BOX A



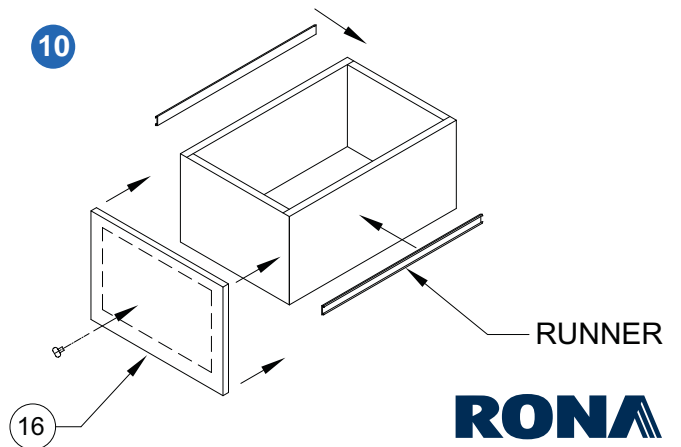
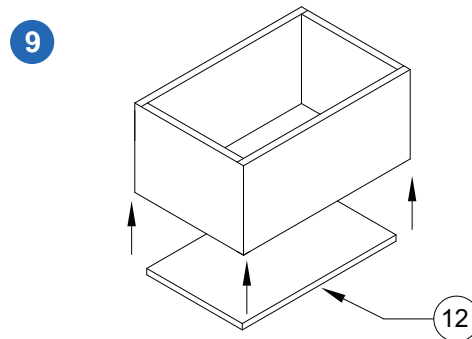
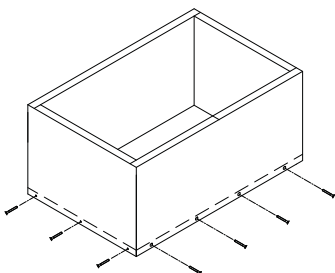
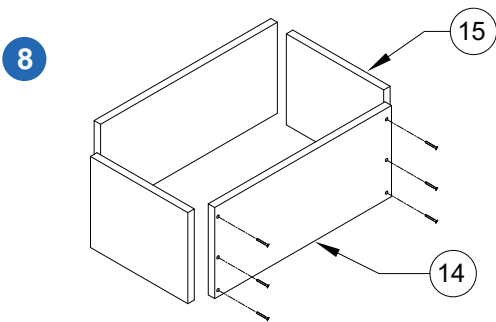
# DESK

## ASSEMBLY (CONT'D)

### ASSEMBLY DRAWERS 1 AND 2 BOX A



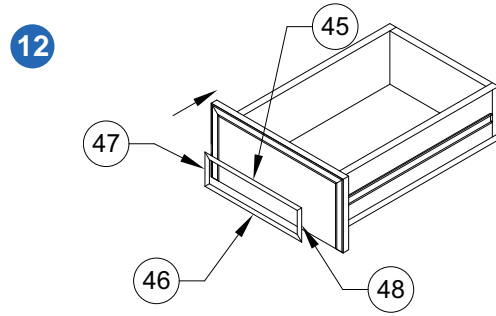
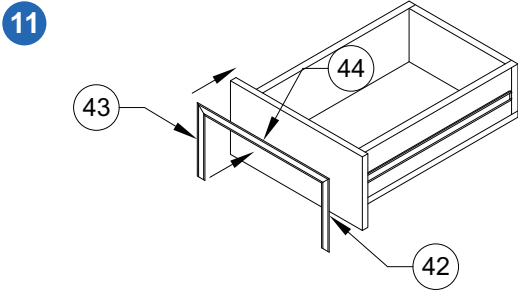
### ASSEMBLY DRAWER 3 BOX A



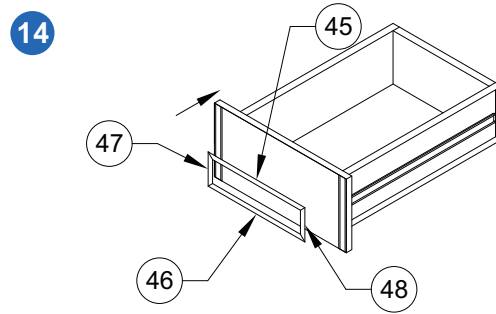
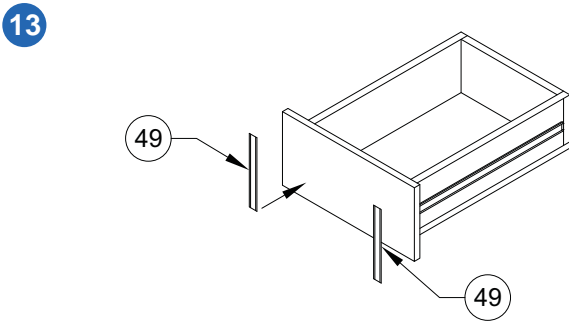
# DESK

## ASSEMBLY (CONT'D)

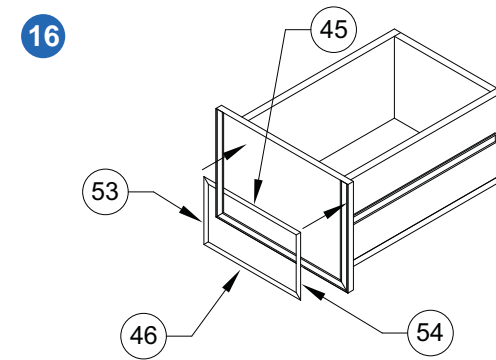
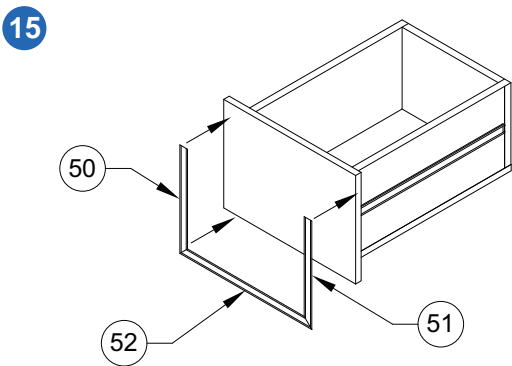
### ASSEMBLY OF DECORATIVE MOULDINGS DRAWER 1 BOX A



### ASSEMBLY OF DECORATIVE MOULDINGS DRAWER 2 BOX A



### ASSEMBLY OF DECORATIVE MOULDINGS DRAWER 3 BOX A

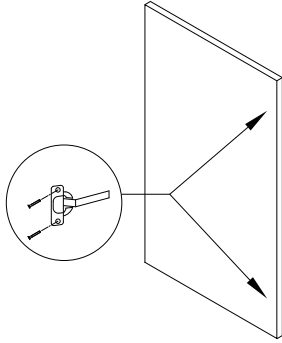


# DESK

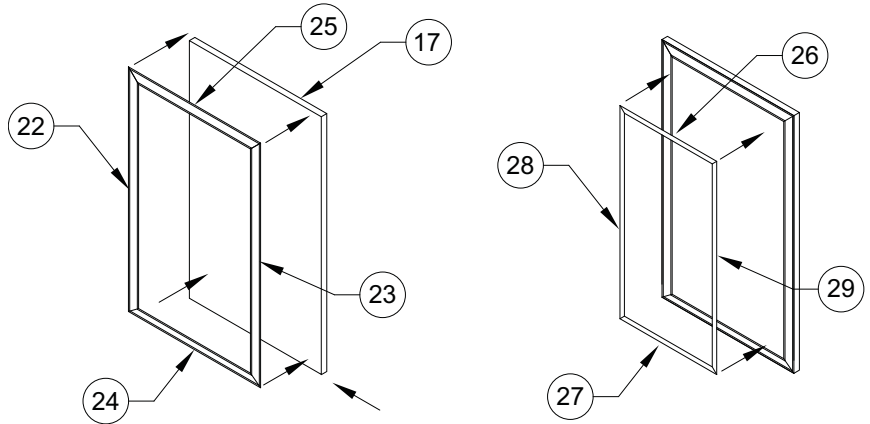
## ASSEMBLY (CONT'D)

### ASSEMBLY OF DOOR BOX B

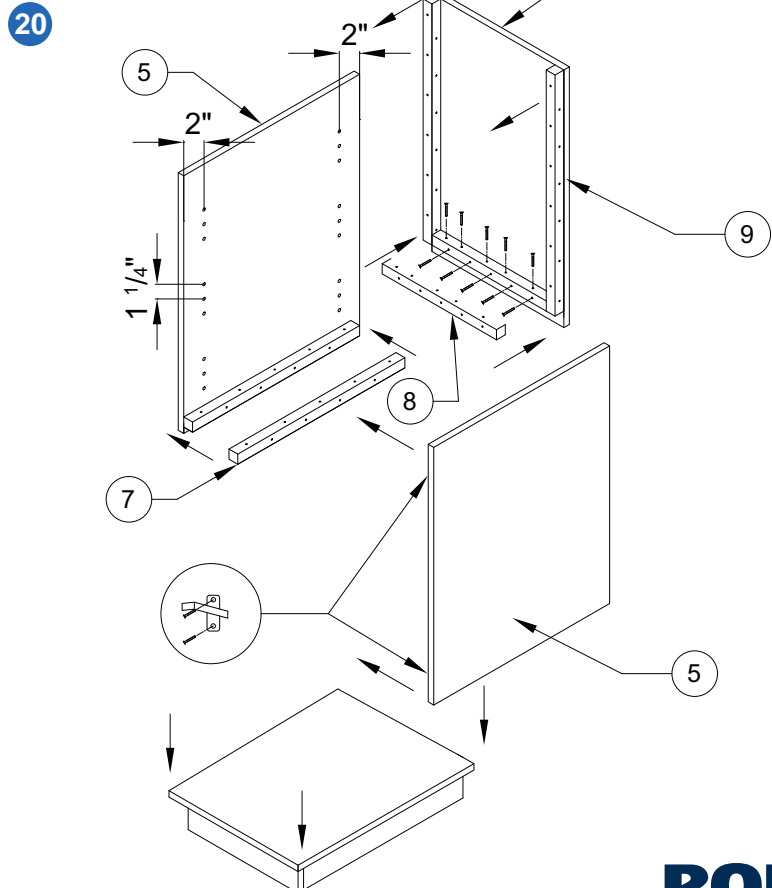
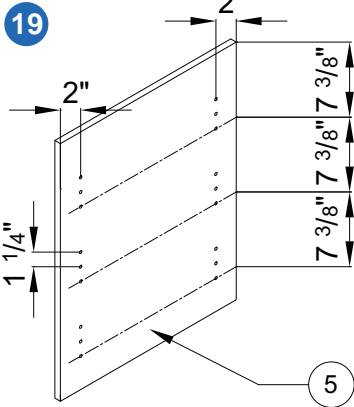
- 17 Assembly of hinge on the interior of the door (see manufacturer's instructions).



- 18 Assembly of decorative mouldings.



### ASSEMBLY BOX B

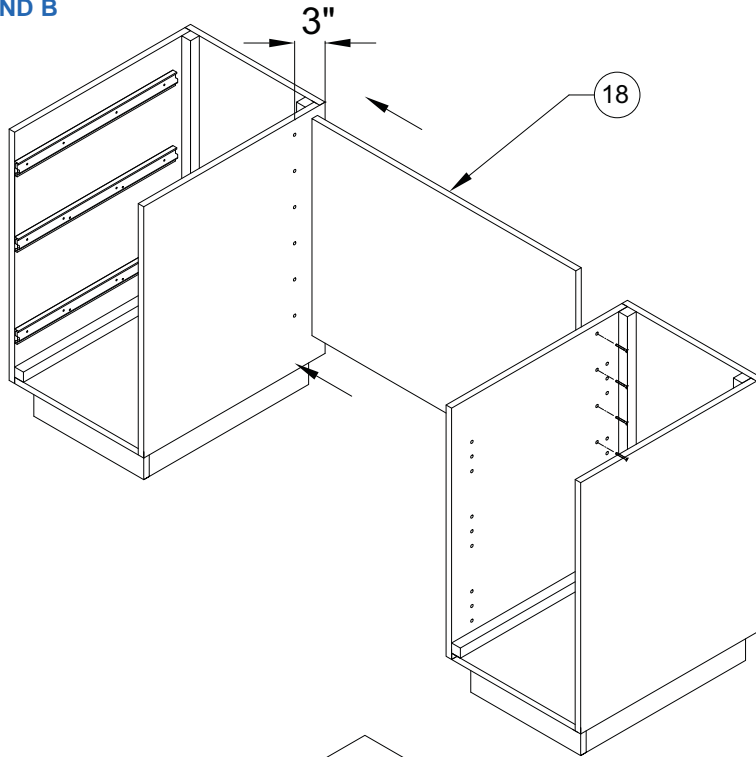


# DESK

## ASSEMBLY (CONT'D)

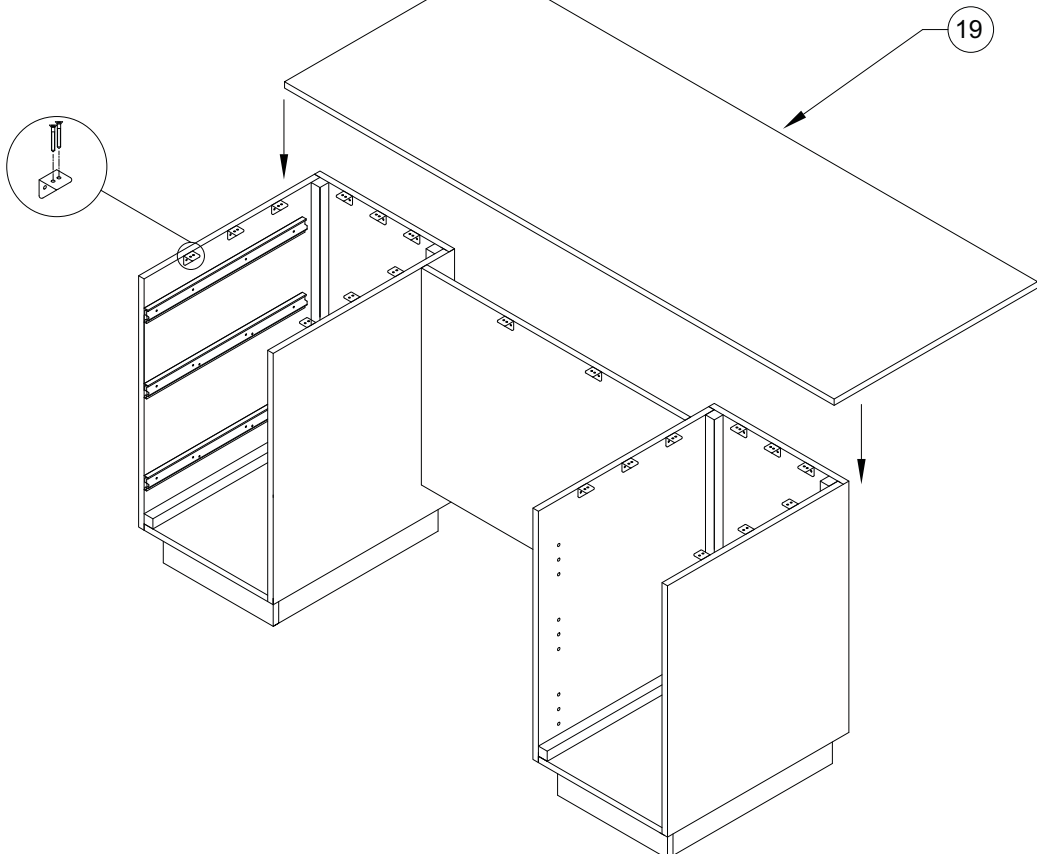
### ASSEMBLY BOX A AND B

21



### ASSEMBLY TOP

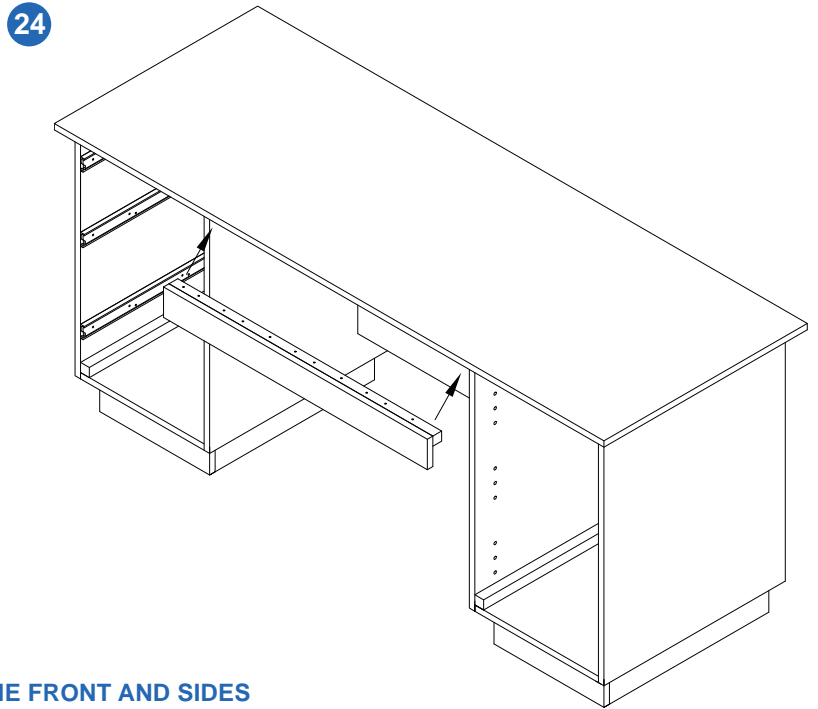
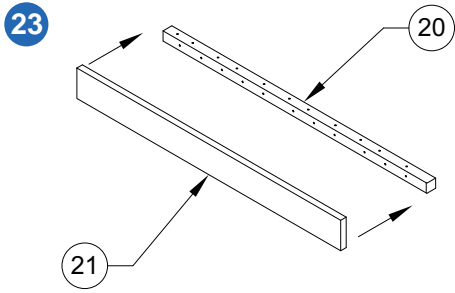
22



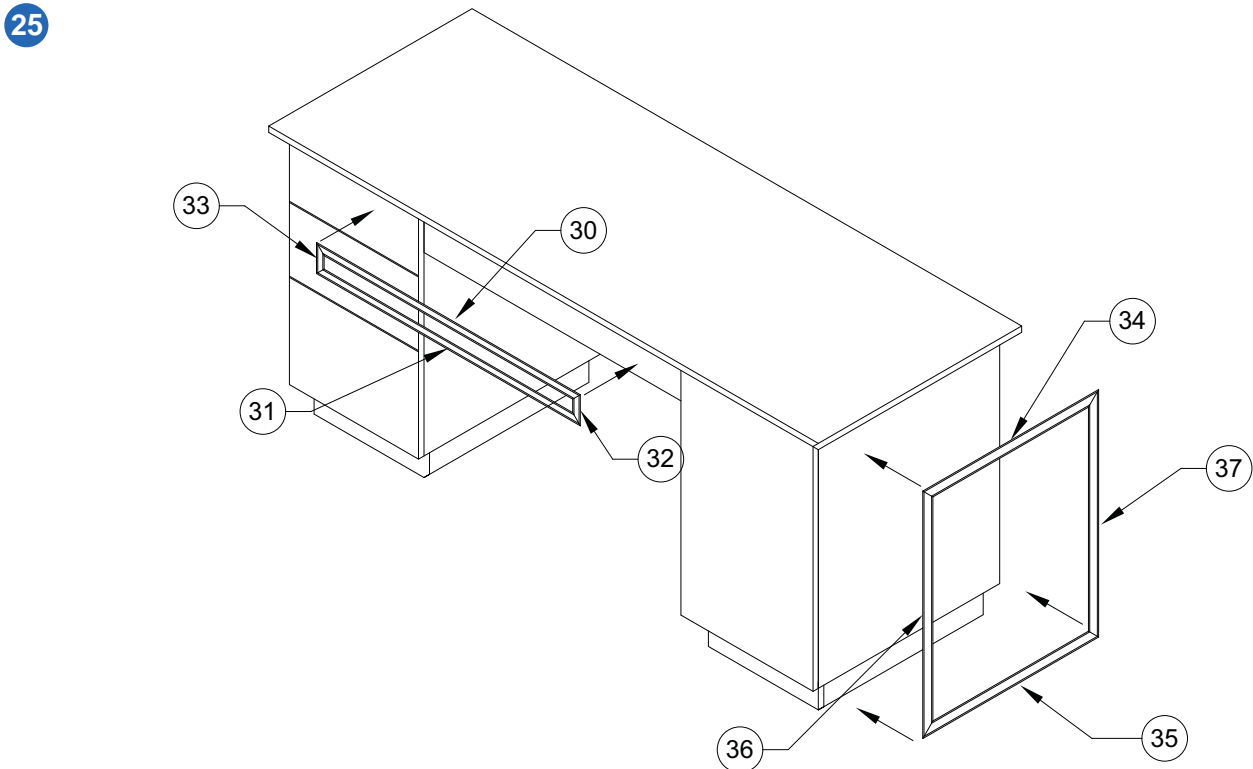
# DESK

## ASSEMBLY (CONT'D)

### ASSEMBLY FRONT



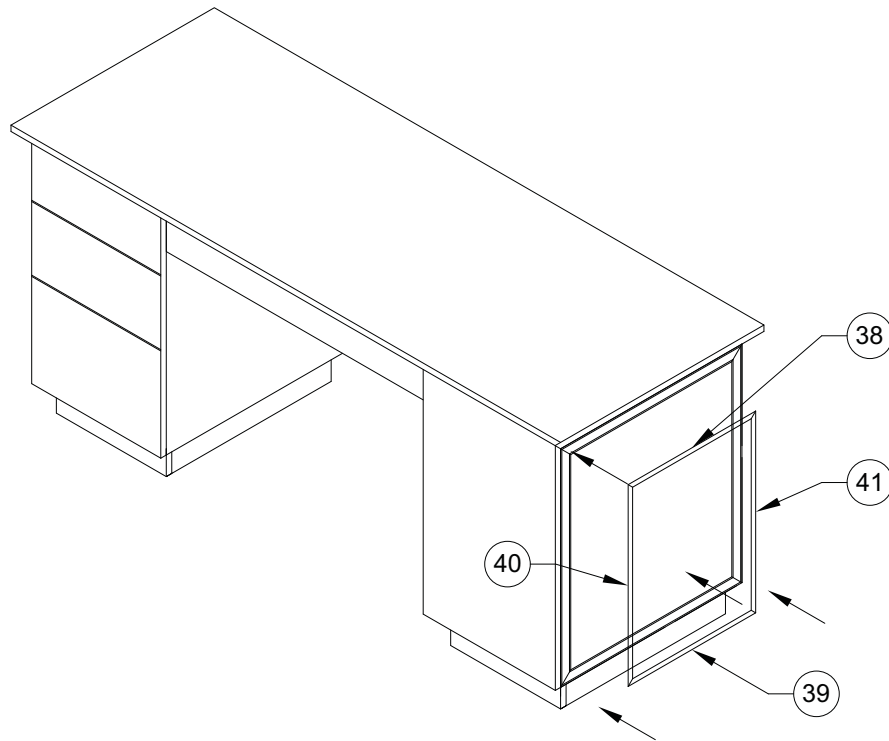
### ASSEMBLY OF DECORATIVE MOULDINGS FOR THE FRONT AND SIDES



# DESK

## ASSEMBLY (CONT'D)

26



## ASSEMBLY FRONT

27

Jointed pine cyma.  
5/16" x 7/8" x 96"  
Boulanger brand

Quarter round  
7/16" x 7/16" x 96"  
Boulanger brand

