

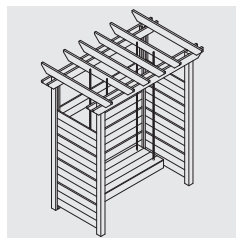
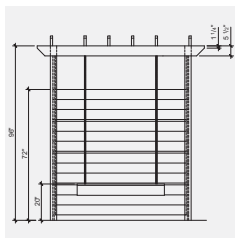
CEDAR PERGOLA AND HANGING SEAT

CONSTRUCTION PLAN



Difficulty level: **T** | EASY

Completion time: **4 hours**



CEDAR PERGOLA AND HANGING SEAT

A charming, secluded spot to while away the time on a warm summer's evening.

The seat is suspended from a pergola measuring 96" high by 60" deep and 92" wide. The pergola is framed by palisade panels which integrate it with the fence, but it can also be built without the panels to stand alone or as part of another landscaping feature.

NOTE: This hanging garden seat is not a play swing. It is designed for gentle rocking only, hence the fence panels to limit the swinging motion.



TOOLS AND MATERIALS NEEDED

TOOLS

- > Table saw with dado blade
- > Circular saw
- > Driver drill
- > Sledgehammer
- > Pencil
- > Measuring tape

MATERIALS

- > 4 cedar posts, 4" x 4" x 96"
- > 2 cedar boards, 2" x 4" x 96"
- > 10 cedar boards, 1 1/4" x 6" x 96"
- > 28 cedar boards, 1" x 6" x 72"
- > 2 1/2" treated-wood screws
- > 4 metal stakes
- > 3/4" rope (4 lengths of 96")
- > Stain

Cedar wood

Cedar is a naturally weather-resistant wood and so does not need to be specially treated or painted. But there's nothing to prevent you from staining it to go with the decor – this will not detract from its beauty.

BEFORE ASSEMBLY

CUTTING LIST

Sand the edges smooth as needed.

Cedar posts, 4" x 4" x 96"

PIECES	QUANTITY	LENGTH (")
A POST	4	96

Cedar boards, 1" x 6" x 72"

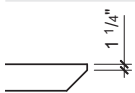
PIECES	QUANTITY	LENGTH (")
B BACK PANEL	12	72
C SIDE PANEL	24	36
H SEAT BORDER – LONG	2	48
I SEAT BORDER – SHORT	2	20 1/2
J SEAT TOP	4	48

Cedar boards, 1 1/4" x 4" x 96"

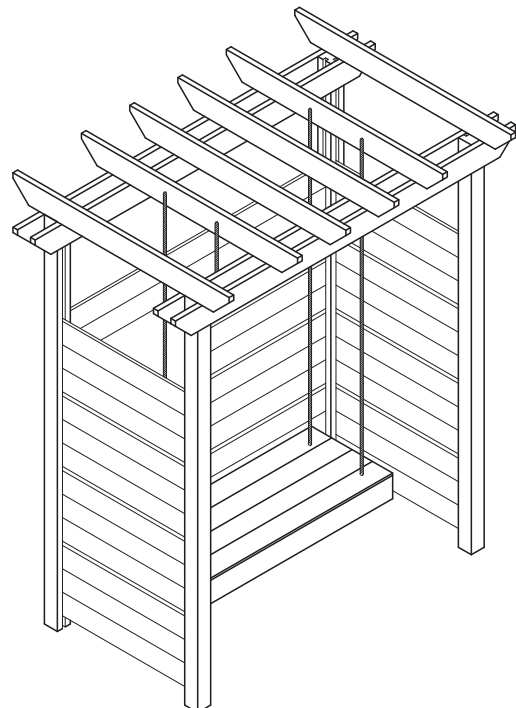
PIECES	QUANTITY	LENGTH (")
D SUPPORT BEAM	4	92
E RAFTER	6	60

Cedar boards, 2" x 4" x 96"

PIECES	QUANTITY	LENGTH (")
F SEAT FRAME – LONG	2	46 1/2
G SEAT FRAME – SHORT	2	17 1/2



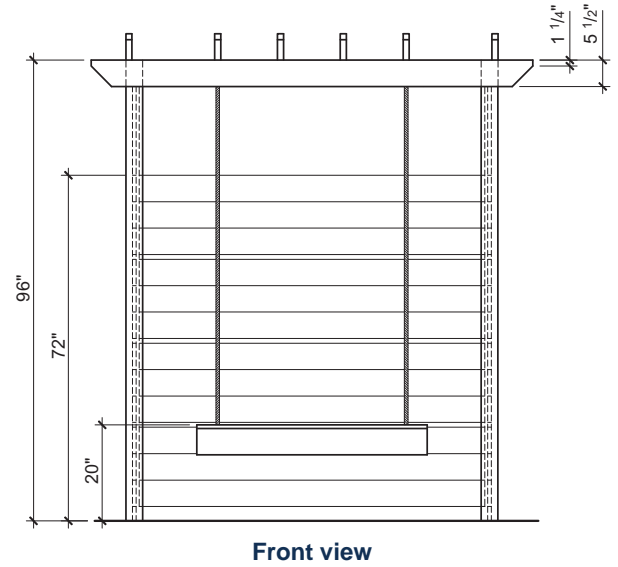
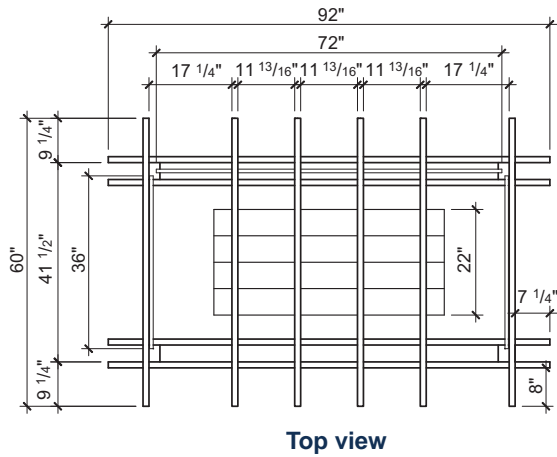
The ends of parts D and E are cut at a 45° angle, 1 1/4" from the edge.



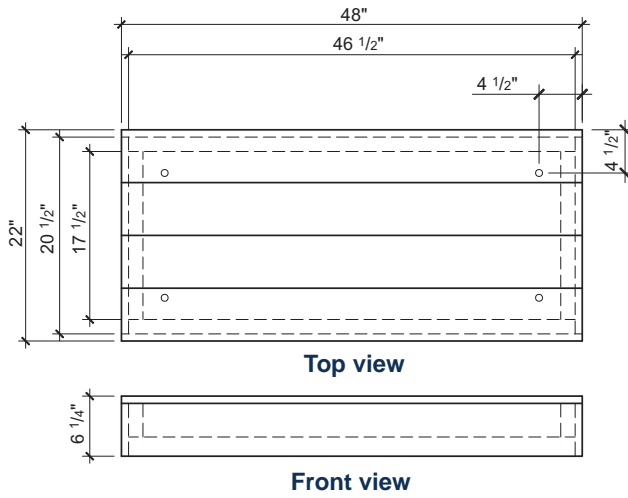
CEDAR PERGOLA AND HANGING SEAT

ELEVATIONS

SEAT AND PERGOLA



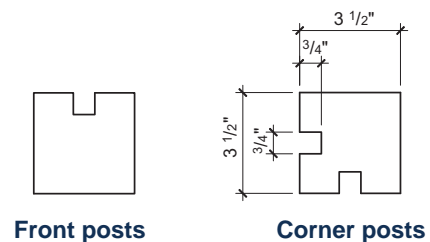
SEAT ONLY



PREPARING THE POSTS

The boards forming the panels around the pergola are inserted into grooves made in the posts using a table saw and dado blade. This preparation is not necessary if you are building a pergola without panels.

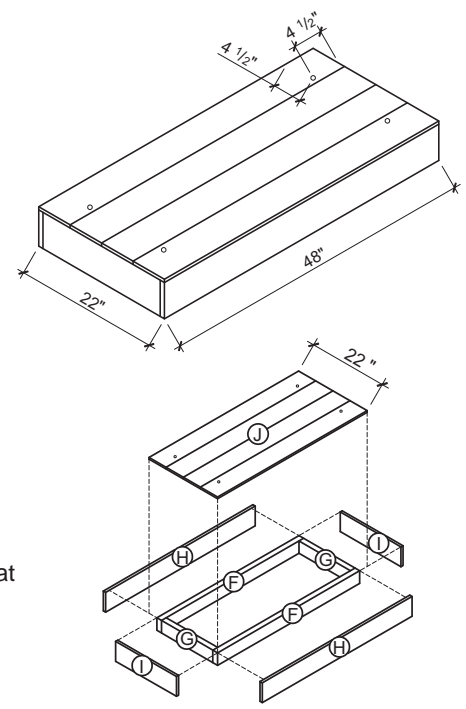
- 1 Make grooves in the very centre of the posts using a dado blade. The grooves must be $\frac{3}{4}$ " wide by $\frac{3}{4}$ " deep.
- 2 Stain the posts.



CEDAR PERGOLA AND HANGING SEAT

ASSEMBLAGE DU BANC

- 3 Bore a 3/4" hole at each end of two J boards. Each hole must be 4 1/2" from the edge and 4 1/2" from the end of the board.
- 4 Screw seat frames G between the ends of seat frames F.
- 5 Screw borders H and I to the frame. The top edges of H and I should be level with the top edge of the frame.
- 6 Screw top boards J to the frame so that they are flush with the borders of the seat on all sides. Place the boards with the pre-drilled holes as illustrated.
- 7 Sand the wood and fill the screw holes with wood putty. Paint or stain.



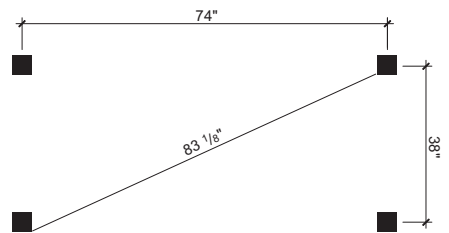
BUILDING THE PERGOLA PANELS

The success of this project relies on accurately positioning the posts. Using metal fence stakes will make this step easier.

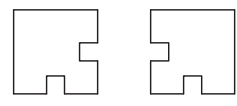
- 8 Determine the location of the metal stakes that will hold up the posts at each corner of the pergola. Space them 74" apart, centre to centre, for the width of the pergola, and 38" apart, centre to centre, for the depth of the pergola. Check for square by measuring the distance, centre to centre, between two diagonally opposite posts. If the posts are square, this distance will be approximately 83 1/8".
- 9 Drive the stakes into the ground. To do this, insert a 10" scrap piece of 4" x 4" post into the base of the stake and hit it with a sledgehammer.
- 10 Insert the posts into the stakes so that the grooves face one another. The back (corner) posts each have two grooves.



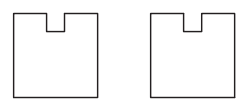
Various stakes



- 11 Slide the boards for the back panel B into the grooves in the back posts, following the pattern shown in the elevation, i.e. three boards followed by a 1" space. Insert the boards forming the side panels C in the same way between the back and front posts.



Back posts



Front posts

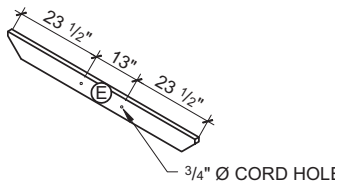
NOTE: The first board should be fastened 3" from the bottom end of the posts. Use a 1" spacer as you work, to ensure even gaps between the groups of three boards. Screw each board into the posts at an angle.



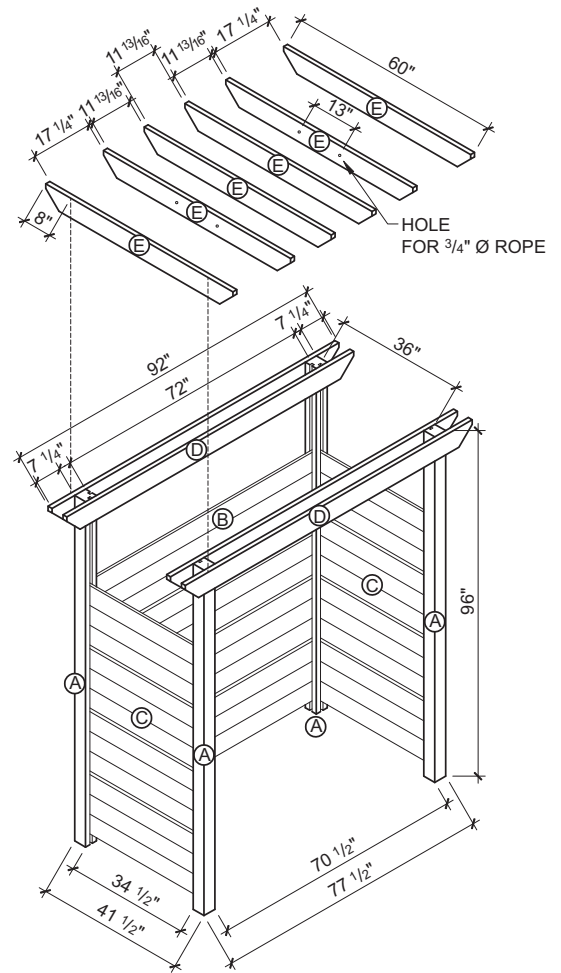
CEDAR PERGOLA AND HANGING SEAT

ASSEMBLING THE ROOF OF THE PERGOLA

- 12 Insert screws part way into the support beams (D), 9" from their ends. This will help you when it comes to fastening them.
- 13 Screw two support beams D to the back posts and two others to the front posts. The top edges of the beams should be level with the top of the posts. The ends of the beams should extend 7 1/4" beyond the posts. Ask someone to help you hold the beams steady while you fasten them.

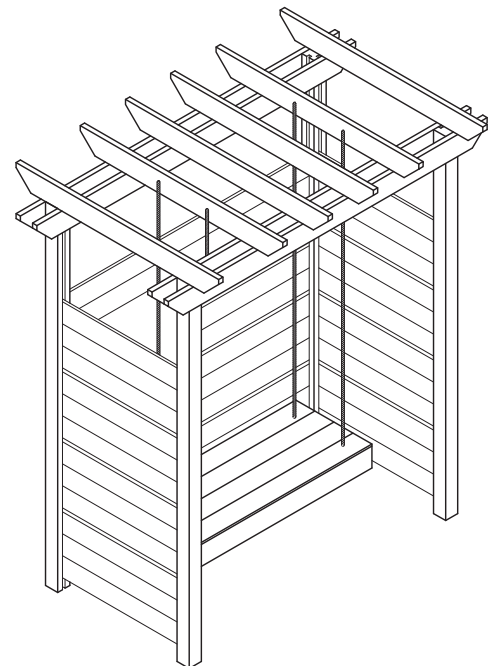


- 14 Bore a 3/4" hole, 23 1/2" from each end of two (2) rafters E and centered width-wise. The two holes on each rafter should thus be 13" apart.
- 15 Screw all the rafters onto the support beams, referring to the illustration for the exact measurements and correct positioning of the rafters with the holes. Screw diagonally through the sides.
- 16 Paint or stain.



HANGING THE SEAT

- 17 Make double knots at one end of each length of rope, then feed the rope up through the holes in the seat.
- 18 Rest the seat on trestles to hold it up as you work.
- 19 Feed the ropes up through the holes in the rafters and tie the top with double knots. Remove the trestles.
- 20 Check that the ropes are strong and sturdy before using the seat.



Suspended within a walled pergola, this garden seat is the perfect place to sit and watch the world go by!